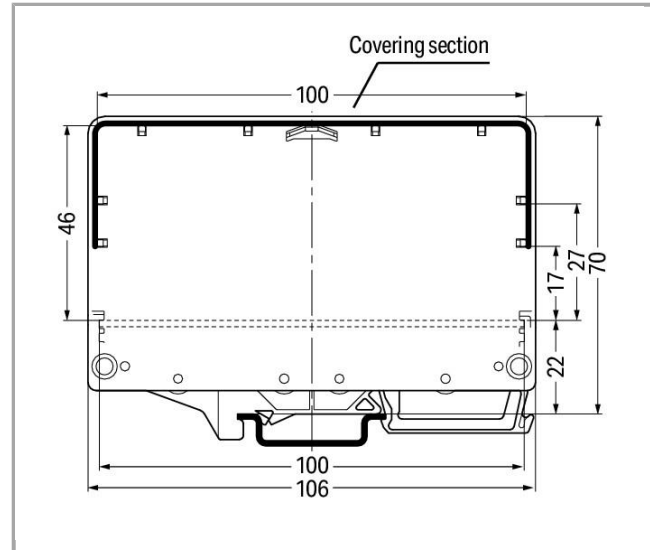


Data sheet | Item number: 288-626

Lateral cover; Size 2; large; 8.75 mm thick



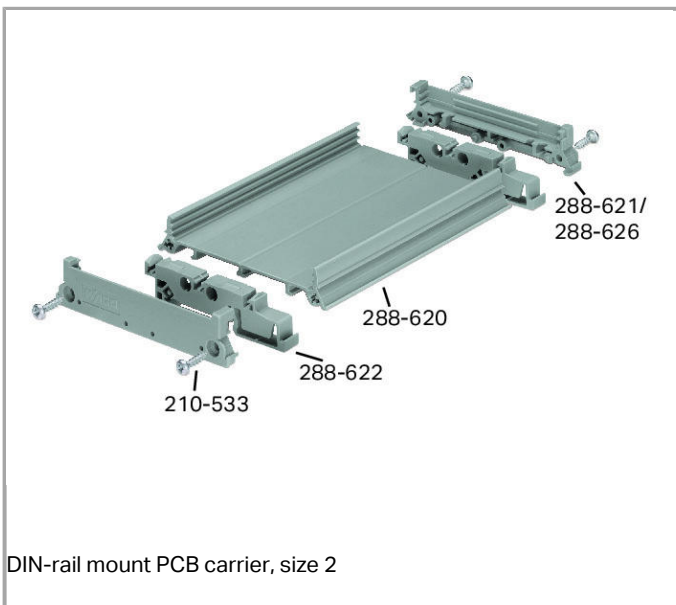
288-626



RoHS Compliant

[BOMcheck.net](https://www.bomcheck.net)

Color: ■



DIN-rail mount PCB carrier, size 2

Item description

DIN-rail mount PCB carrier, size 2 with cover – lateral cover, size 2; large; 8.75 mm thick

Data

Geometrical Data

Width	8.75 mm / 0.344 inch
Depth	106 mm / 4.173 inch

Mechanical data

Type of mounting	DIN-35 rail
------------------	-------------

Material Data



Color	gray
Fire load	0.357 MJ
Weight	11.89 g

Commercial data

Product Group	6 (Interface Electronics)
Country of origin	DE
GTIN	4017332649865
Customs Tariff No.	85472000900

Compatible products

General accessories

	Item no.: 210-533 Phillips screw 2.9 x 13	210-533
	Item no.: 288-620 Track section; Size 2; 1 m long	288-620
	Item no.: 288-620/024-000 Track section; Size 2	288-620 /024-000
	Item no.: 288-627 Cover; Size 2; 1 m long	288-627

Downloads

Documentation

Additional Information

Disposal; Electrical and electronic equipment, Packaging	V 1.0.0	pdf 265.8 kB	Download
--	---------	-----------------	----------



CAD/CAE - Smart Data

CAD data

3D Download 288-626

URL

Download

Subject to changes.
